

# FXLED® 200W 300W 500W INSTALLATION INSTRUCTIONS

**RAB**  
LIGHTING

Thank you for buying RAB lighting fixtures. Our goal is to design the best quality products to get the job done right. We'd like to hear your comments. Call the Marketing Department at 888-RAB-1000 or email: [marketing@rabweb.com](mailto:marketing@rabweb.com)



## IMPORTANT

**READ CAREFULLY BEFORE INSTALLING FIXTURE. RETAIN THESE INSTRUCTIONS FOR FUTURE REFERENCE.**

RAB fixtures must be wired in accordance with the National Electrical Code and all applicable local codes. Proper grounding is required for safety. THIS PRODUCT MUST BE INSTALLED IN ACCORDANCE WITH THE APPLICABLE INSTALLATION CODE BY A PERSON FAMILIAR WITH THE CONSTRUCTION AND OPERATION OF THE PRODUCT AND THE HAZARDS INVOLVED.

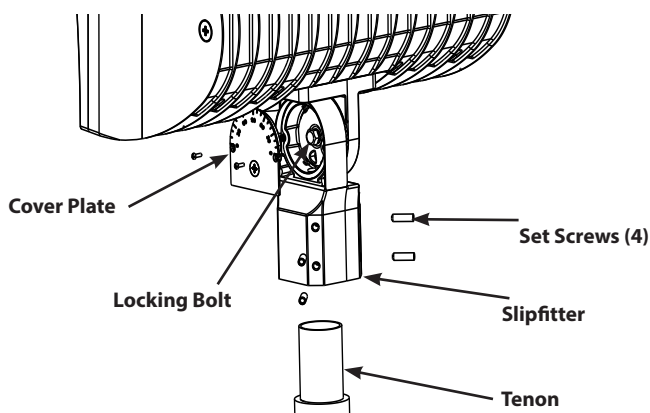
**WARNING: Make certain power is OFF before installing or maintaining fixture. No user serviceable parts inside.**

## WARNING: RISK OF SERIOUS INJURY OR DEATH!

**DO NOT MOUNT THE SLIPFITTER TO A TENON OR BRACKET THAT IS MORE THAN 20 DEGREES FROM VERTICAL. MOUNTING AT ANY ANGLE OTHER THAN 0-20 DEGREES INCREASES THE RISK OF DISENGAGEMENT AND/OR FAILURE OF THE SLIPFITTER. INSTALL THE POLE ON A SECURE BASE OR INSTALL THE BRACKET TO A WALL FIRST. THEN PLACE LUMINAIRE ONTO THE POLE OR BRACKET. DO NOT LIFT ASSEMBLED LUMINAIRE OR POLE OR LUMINAIRE & BRACKET. LUMINAIRE OR POLE/BRACKET MAY DISENGAGE.**

## SLIPFITTER MOUNTING

1. The slipfitter mounting fits a 2 3/8" O.D. **Tenon**. Place the **Slipfitter** over the **Tenon** and secure the fixture with the **Set Screws** (4) on the side of the **Slipfitter**.
2. To adjust the angle of the **Slipfitter**, remove two screws and plug on side of **Cover Plate**. Remove the **Cover Plate**. Loosen the **Locking Bolt** and adjust the angle of the fixture as desired.
3. Feed supply wires from **Tenon** to **Slipfitter** and make necessary connections in the **Slipfitter** and knot wires for strain relief.
4. Tighten the **Locking Bolt** and re-attach **Cover Plate**. Seal plug on side of **Cover plate** with Teflon Tape or silicone sealant.

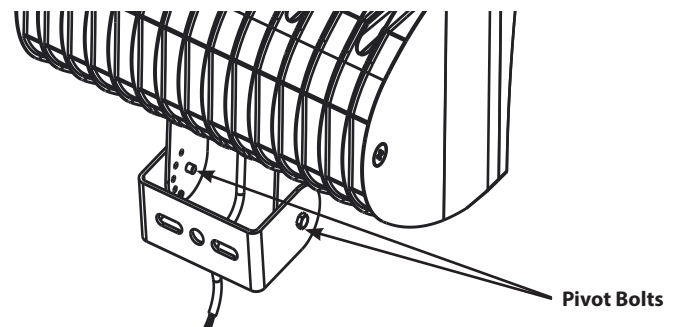


## TRUNNION MOUNTING

**CAUTION: UL and C-UL listed or CSA certified liquid tight cord grip suitable for use with STW flexible cord shall be used for connection to a wet location outlet box provided by others.**

To adjust the angle of the fixture using the trunnion:

1. Loosen the **Pivot Bolts** & angle locking screw.
2. Adjust fixture to desired angle.
3. Tighten **Pivot Bolts** & angle locking screw.



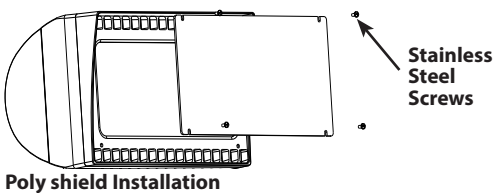
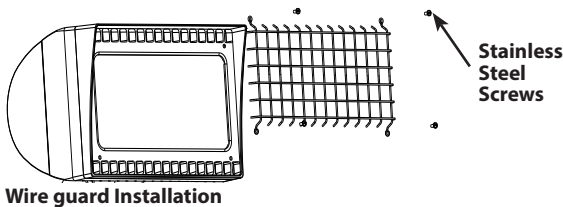
# FXLED® 200W 300W 500W INSTALLATION INSTRUCTIONS



Thank you for buying RAB lighting fixtures. Our goal is to design the best quality products to get the job done right. We'd like to hear your comments. Call the Marketing Department at 888-RAB-1000 or email: [marketing@rabweb.com](mailto:marketing@rabweb.com)

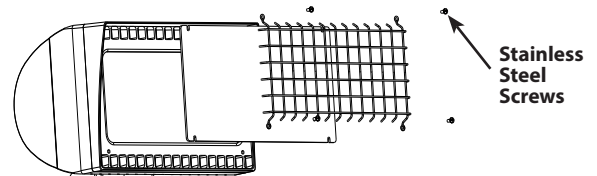
## GUARD OR SHIELD INSTALLATION

Wire Guard and Poly Shield mount with (4) #10-24 **Stainless Steel Screws**. Screws are provided with the accessory. Line up guard or shield with existing pre-drilled holes in frame as shown, tighten screws.



## GUARD & SHIELD INSTALLATION

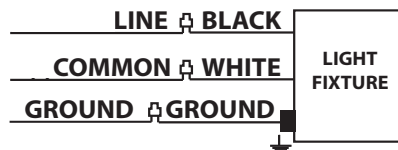
The Wire Guard and Poly Shield can be mounted on the same fixture with (4) #10-24 screws as shown below.



## ON-OFF WIRING *(applies for FXLED 200W 300W)*

Universal voltage driver permits operation at 120V thru 277V, 50 or 60 Hz. Units ordered with (/480V) suffix are 480V, 50Hz or 60Hz. Units ordered with (/PCS) suffix are with 120V swivel photocell, (/PCS2) suffix are with 277V swivel photocell and (/PCS4) suffix are with 480V swivel photocell. Units ordered with (/PCT) suffix are with 120-277V twistlock photocell and (/PCT4) suffix are with 480V twistlock photocell. For Non-Dimming, follow the wiring directions below.

1. Connect the black fixture lead to the LINE supply lead.
2. Connect the white fixture lead to the COMMON supply lead.
3. Connect the GROUND wire from fixture to supply ground.

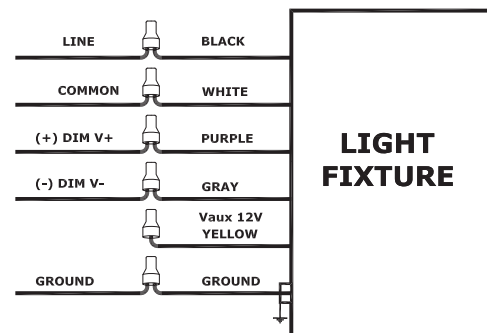


## 0-10V DIMMABLE WIRING

Universal voltage driver permits operation at 120V thru 277V, 50 or 60 Hz. For fixtures with Trunion mounting, a 5-wire cord will be provided. Units ordered with (/480V) suffix are 480V, 50Hz or 60Hz. Units ordered with (/PCS) suffix are with 120V swivel photocell, (/PCS2) suffix are with 277V swivel photocell and (/PCS4) suffix are with 480V swivel photocell. Units ordered with (/PCT) suffix are with 120-277V twistlock photocell and (/PCT4) suffix are with 480V twistlock photocell. For 0-10V Dimming, follow the wiring directions below.

1. Connect the black fixture lead to the LINE supply lead.
2. Connect the white fixture lead to the COMMON supply lead.
3. Connect the GROUND wire from fixture to supply ground.
4. Connect the purple fixture lead to the (V+) DIM lead.
5. Connect the gray fixture lead to the (V-) DIM lead.
6. Cap the yellow fixture lead, if present. Do NOT connect.

NOTE: Do not connect DIM V+ (purple)/ DIM V- (gray) to line voltage or supply ground.



# FXLED® 200W 300W 500W INSTALLATION INSTRUCTIONS

**RAB**  
LIGHTING

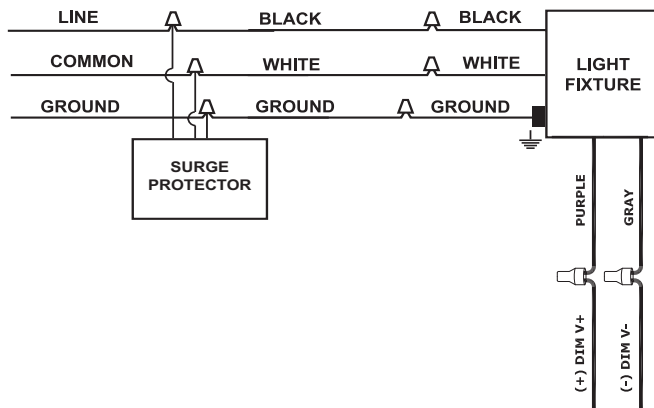
Thank you for buying RAB lighting fixtures. Our goal is to design the best quality products to get the job done right. We'd like to hear your comments. Call the Marketing Department at 888-RAB-1000 or email: [marketing@rabweb.com](mailto:marketing@rabweb.com)

## SURGE PROTECTOR OPTION

Units ordered with (/SP) suffix are provided with 10kV surge protector secured within the fixture. Follow wiring directions as below -

1. Connect the black fixture lead to the LINE supply lead and black surge protector wire.
2. Connect the white fixture lead to the COMMON supply lead and white surge protector wire.
3. Connect the GROUND wire from fixture to supply ground and green surge protector wire.
4. In units ordered with (/D10) suffix, connect the purple fixture lead to the (V+) DIM lead.
5. In units ordered with (/D10) suffix, connect the gray fixture lead to the (V-) DIM lead.

NOTE: Do not connect DIM V+ (purple)/ DIM V- (gray) to line voltage or supply ground.



## BILEVEL DIMMER OPTION

For 100% light output (disabling the dimmer), splice red wire with black line wire.

For chosen output only, leave red wire capped.

For Bilevel Function, connect red wire to switched device.

1. Determine what % light output is desired and set switch prior to installation. Options are: 25%, 50%, and 75%.
2. Connect purple wire with driver's purple wire.
3. Connect gray wire with driver's gray wire.
4. Connect black wire with driver and supply line wires.
5. Connect white wire with driver and supply neutral wires.

## ACCESSORIES

**Chrome Wire Guard:**

GDFXLED300W

**Poly Shield:**

GDFXLED300P

**Lens & Door Replacement:**

LFFXLED300A (bronze)

LFFXLED300W (white)

## TROUBLESHOOTING

1. Check that the line voltage at the fixture is correct. Refer to wiring directions.
2. Be sure the fixture is grounded properly.
3. Is the photocell, if used, functioning properly?

## CLEANING & MAINTENANCE

**CAUTION: Be sure fixture temperature is cool enough to touch. Do not clean or maintain while fixture is energized.**

1. Lens should be washed in a solution of warm water and any mild, non abrasive household detergent, rinsed with clean water and wiped dry. Do not use chemicals to clean fixture.
2. Do not open the fixture to clean the LED. Do not touch the LED.

Patent - **US:** pat. D659,280

Note: These instructions do not cover all details or variations in equipment nor do they provide for every possible situation during installation, operation or maintenance.

**RAB**  
LIGHTING  
© 2017 RAB LIGHTING Inc.  
Northvale, New Jersey 07647 USA

### Easy Answers

[rabweb.com](http://rabweb.com)  
Visit our website for product info

Tech Help Line  
Call our experts - 888 722-1000

e-mail  
Answered promptly - [sales@rabweb.com](mailto:sales@rabweb.com)

Free Lighting Layouts  
Answered online or by request

FXLED 200 300 500 IN 0617