

WPLED[®] 52W/ 80W INSTALLATION INSTRUCTIONS

RAB
LIGHTING

Thank you for buying RAB lighting fixtures. Our goal is to design the best quality products to get the job done right. We'd like to hear your comments. Call the Marketing Department at 888-RAB-1000 or email: marketing@rabweb.com



WPLED52/ WPLED80
Standard (15 Deg)



WPLEDC52/ WPLEDC80
Cutoff (7.5 Deg)



WPLEDFC52/ WPLEDFC80
Full Cutoff (0 Deg)

IMPORTANT

READ CAREFULLY BEFORE INSTALLING FIXTURE. RETAIN THESE INSTRUCTIONS FOR FUTURE REFERENCE.

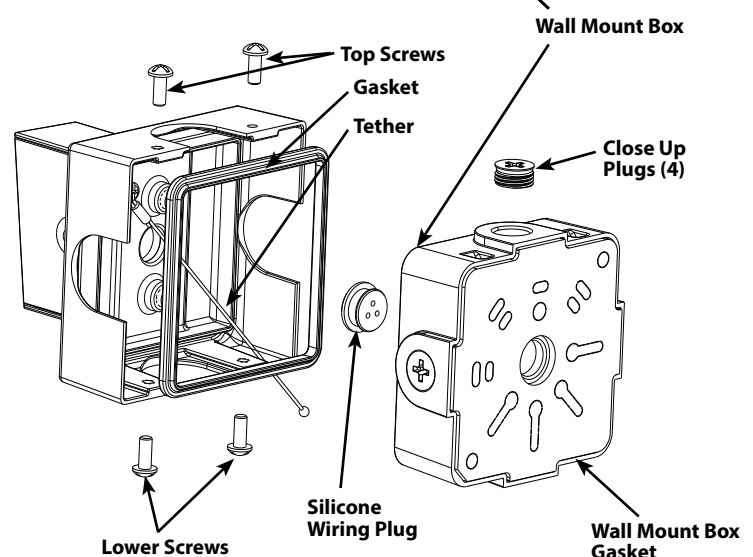
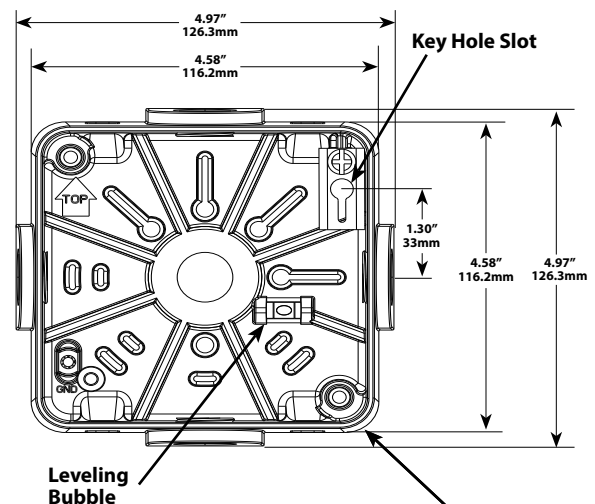
RAB fixtures must be wired in accordance with the National Electrical Code and all applicable local codes. Proper grounding is required for safety. THIS PRODUCT MUST BE INSTALLED IN ACCORDANCE WITH THE APPLICABLE INSTALLATION CODE BY A PERSON FAMILIAR WITH THE CONSTRUCTION AND OPERATION OF THE PRODUCT AND THE HAZARDS INVOLVED.

WARNING: Make certain power is OFF before installing or maintaining fixture. No user serviceable parts inside.

CAUTION: For proper weatherproof function all gaskets must be seated properly and all screws inserted and tightened firmly. Apply weatherproof silicone sealant around the edge of the Wall Box and/or Junction Box. This is especially important with an uneven wall surface. Silicone all plugs and unused conduit entries.

MOUNTING TO A WALL

1. Orient **Wall Mount Box** such that 'TOP' is pointing up.
2. Feed supply wires through **Wall Mount Box Gasket** into **Wall Mount Box** through **Silicone Wiring Plug**, if not using conduit/ connectors.
3. Secure **Wall Mount Box** to a sturdy mounting surface. Use appropriate mounting hardware such as lag bolts and anchors with washers suitable for the mounting surface. A **Leveling Bubble** is provided to level fixture.
4. Silicone around the edge of **Wall Mount Box Gasket** and/ or junction box.
5. Check that **Gasket** is fully sealed.
6. Slide the stainless steel **Tether** from the fixture into the **Key Hole Slot** for hands free wiring.
7. Wire the fixture using UL listed wire connectors according to NEC and local codes.
8. Place wired fixture over the **Wall Mount Box** and tighten the **Top Screws**. Then tighten the **Lower Screws**.
9. Tighten **Close Up Plugs** and apply weatherproof silicone sealant to all unused conduit entry points.



WPLED® 52W/ 80W INSTALLATION INSTRUCTIONS

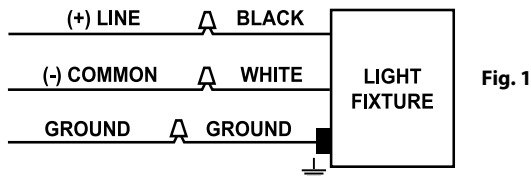


Thank you for buying RAB lighting fixtures. Our goal is to design the best quality products to get the job done right. We'd like to hear your comments. Call the Marketing Department at 888-RAB-1000 or email: marketing@rabweb.com

ON-OFF WIRING

Universal voltage driver permits operation at 120V to 277VAC, 50 or 60 Hz except fixtures factory ordered with a 120V swivel photocell (/PCS) or 277V swivel photocell (/PCS2) or 480V swivel photocell (/PCS4). Units ordered with (/480V) suffix are 480V.

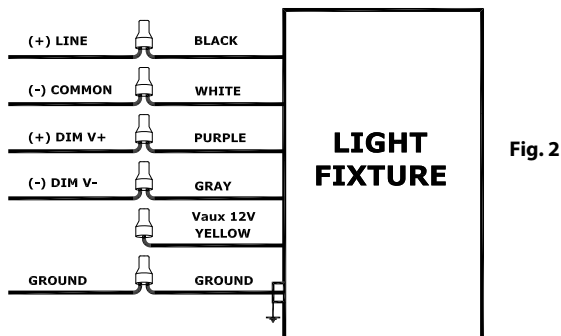
1. Connect the BLACK fixture lead to the (+) LINE supply lead.
2. Connect the WHITE fixture lead to the (-) COMMON supply lead.
3. Connect the bare copper Ground wire from fixture to supply ground.



0-10V DIMMABLE WIRING

Universal voltage driver permits operation at 120V thru 277V, 50 or 60 Hz. For 0-10V Dimming, follow the wiring directions as in fig. 2.

1. Connect the black fixture lead to the (+) LINE supply lead.
2. Connect the white fixture lead to the (-) COMMON supply lead.
3. Connect the GROUND wire from fixture to supply ground. Do NOT connect the GROUND of the dimming fixture to the output.
4. Connect the purple fixture lead to the (V+) DIM lead.
5. Connect the gray fixture lead to the (V-) DIM lead.
6. Cap the yellow fixture lead, if present. Do NOT connect.



Patents: US: pat. D653,377

Note: These instructions do not cover all details or variations in equipment nor do they provide for every possible situation during installation, operation or maintenance.



WPLED52 80 IN 0115

Easy Installation & Product Help

Tech Help Line
Call our experts 888 RAB-1000

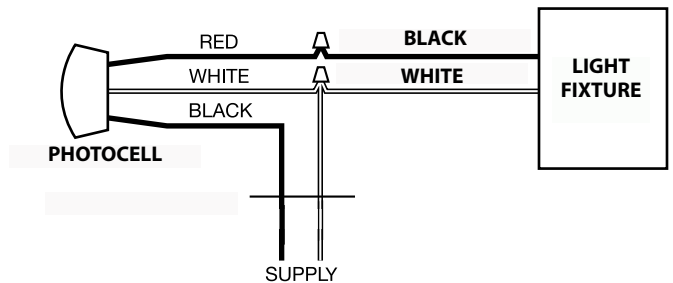
rabweb.com
Visit our website for product info

email
Answered promptly sales@rabweb.com

PHOTOCELL INSTALLATION

Photocell may be installed in the field. Apply weatherproof silicone sealant to all plugs and unused conduit entries.

1. Remove close up plug on top of the wall mounting box.
2. Install photocell and wire as per diagram.
3. Use photocell rated for your supply voltage.



TROUBLESHOOTING

1. Check that the line voltage at the fixture is correct. Refer to wiring directions.
2. Is the fixture grounded properly?
3. Be sure the photocell, if used, is functioning properly.

CLEANING & MAINTENANCE

CAUTION: Be sure fixture temperature is cool enough to touch. Do not clean or maintain while fixture is energized.

1. Clean glass lens with non-abrasive glass cleaning solution.
2. Do not open the fixture to clean the LED. Do not touch the LED.

ALED® WPLED® 52W/ 80W BILEVEL INSTRUCTIONS



Thank you for buying RAB lighting fixtures. Our goal is to design the best quality products to get the job done right. We'd like to hear your comments. Call the Marketing Department at 888-RAB-1000 or email: marketing@rabweb.com

IMPORTANT

READ CAREFULLY BEFORE INSTALLING FIXTURE. RETAIN THESE INSTRUCTIONS FOR FUTURE REFERENCE.

Fixtures must be wired in accordance with the National Electrical Code and all applicable local codes. Proper grounding is required for safety. THIS PRODUCT MUST BE INSTALLED IN ACCORDANCE WITH THE APPLICABLE INSTALLATION CODE BY A PERSON FAMILIAR WITH THE CONSTRUCTION AND OPERATION OF THE PRODUCT AND THE HAZARDS INVOLVED.

WARNING: Make certain power is OFF before installing or maintaining fixture. No user serviceable parts inside.

WIRING

1. Bi-level fixtures have LED's wired separate. The two sets are shown below.
2. Each LED has leads brought through the arm and labeled.
3. Use the wires for switching as needed in your application.

