



**Versatile, flexible and customizable, spec-grade LED cove lighting.**

<b>Project:</b>	<b>Type:</b>
<b>Prepared By:</b>	<b>Date:</b>

<b>Performance Per Foot</b>			
	<b>3500K</b>	<b>3000K</b>	<b>2700K</b>
Input Watts	3	3	3
Lumens	304	284	273
Lumens Per Watt	102	96	93
CRI	84	86	85

One-for-one replacement for fluorescent cove and indirect lighting systems

**Technical Specifications**

**UL Listing:**  
Suitable for dry, damp and wet locations

**IP65 Rating:**  
Dust tight and protection against water spray

**LEDs:**  
Long-life, high-efficacy, surface-mount LEDs

**Lifespan:**  
50,000-hour LED lifespan based on IES LM-80 results and TM-21 calculations

**Dimming Driver:**  
Compatible with ELV and TRIAC dimming at 120V

**Ambient Temperature:**  
Suitable for use in up to 50°C (122°F) ambient temperatures

**Cold Weather Starting:**  
The minimum starting temperature is -30°C (-22°F)

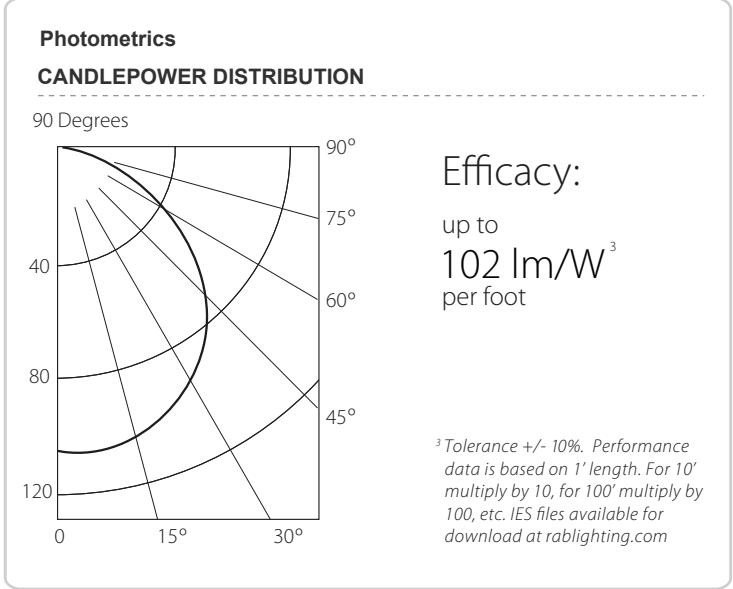
**Mounting:**  
U-mount channel or U-clip accessories

**Color Stability:**  
LED color temperature warrantied not to shift more than 200K in CCT in 5 years

**Color Uniformity:**  
RAB's range of CCT (Correlated Color Temperature) follows the guidelines of the American National Standard for Specifications for the Chromaticity of Solid State Lighting (SSL) Products, ANSI C78.377-2017

**Green Technology:**  
Mercury and UV-free. RoHS-compliant components.

**IESNA LM-79 & LM-80 Testing:**  
RAB LED luminaires have been tested by an independent laboratory in accordance with IESNA LM-79 and LM-80. IES files available for download at [rablighting.com](http://rablighting.com)



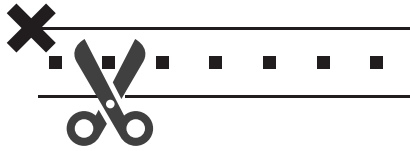
**Features & Benefits**

- For indoor and outdoor use
- Secure in place with clear u-mount channels<sup>1</sup> or u-clips, or change locations and simply plug into another power outlet
- Flexible and customizable, FLEXICOVE is offered in almost any length<sup>2</sup> and designed to follow straight lines or curves
- Flexible cove operates directly off of line voltage
- Ambient temperature rating of up to 50°C (122°F) allows for stable operation in tight spaces with limited airflow
- Driverless technology, uniform illumination end to end
- Architectural-grade light quality
- 3-step binning ensures consistent color, and tight LED spacing provides excellent spatial uniformity

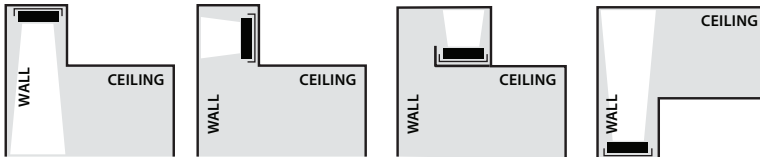
<sup>1</sup> 48" and 96" channels available.  
<sup>2</sup> Lengths from 4" to 140', in increments of 4"

**WARNING: DO NOT CUT**

Field cutting will result in product damage and void your warranty. Please note that it may also cause injury.

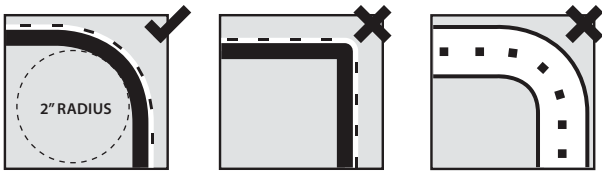


**Mounting Positions**



It is recommended that the LED fixtures be installed into a minimum space of 3" x 3" (76mm x 76mm).

**Bending**

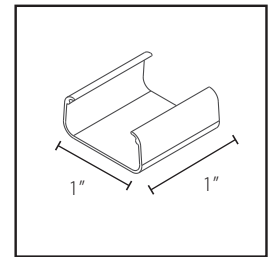
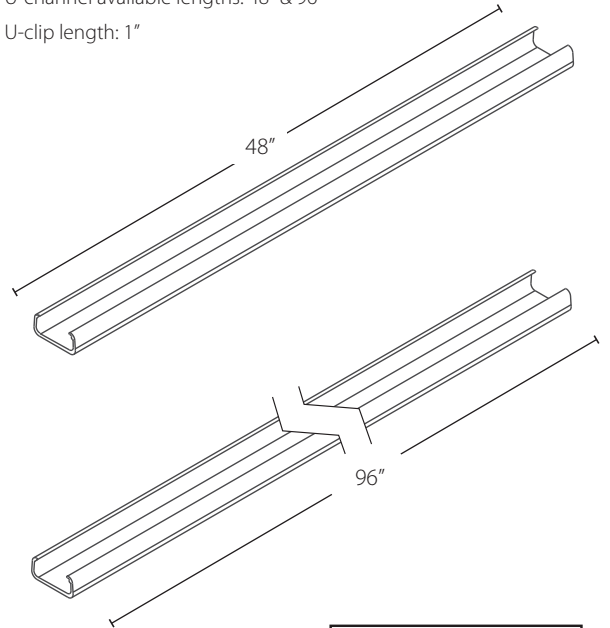


Bend FLEXICOVE at a minimum 2" radius, never by 90°. Do not bend on a horizontal plane.

**Mounting Accessories**

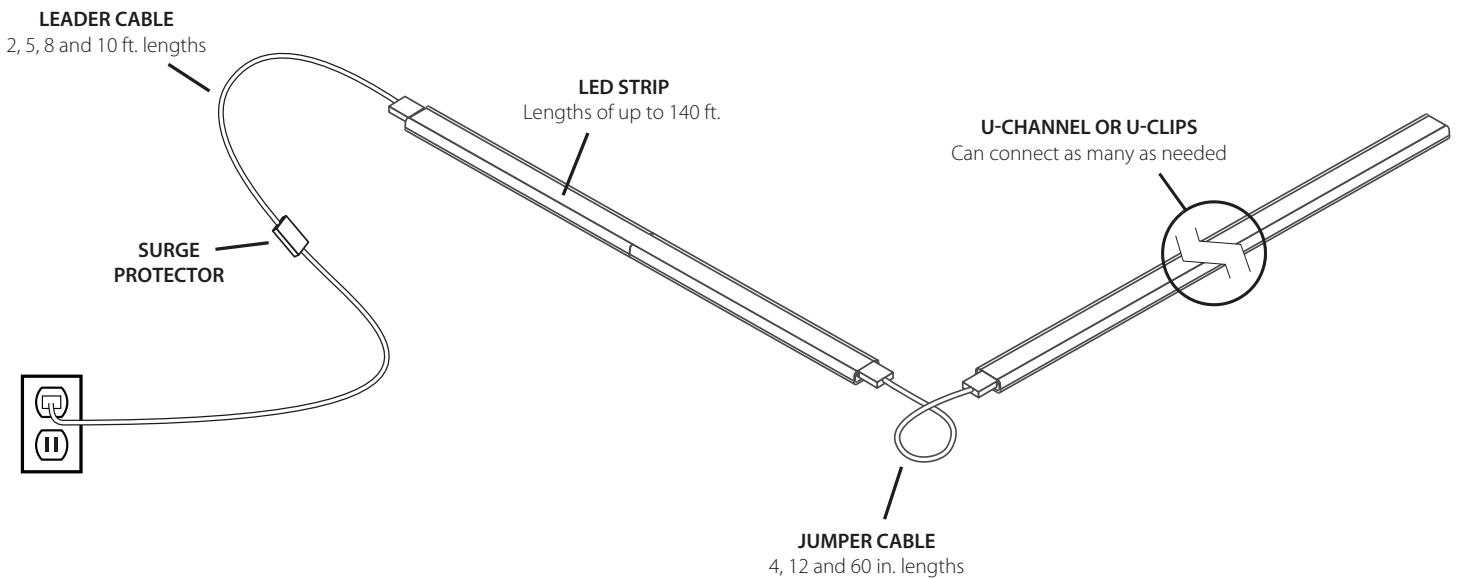
U-channel available lengths: 48" & 96"

U-clip length: 1"



**Factory Customizable**

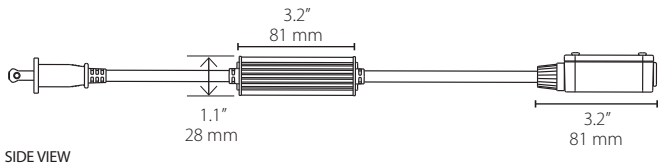
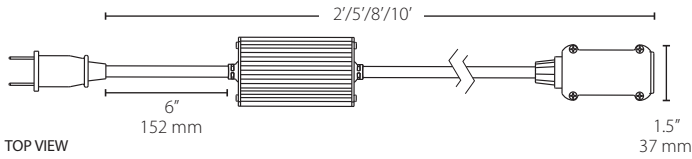
Our factory can configure Flexicove for you in nearly an infinite number of ways.



**Dimensions Termination and Connections**

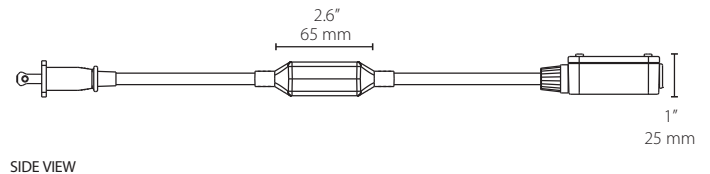
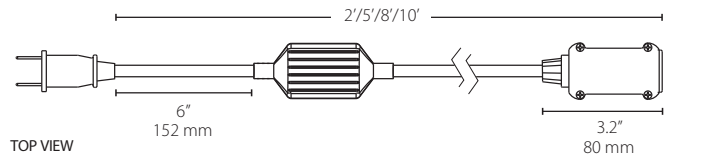
**LEADER CABLE (METAL): for illuminated length 75' - 140'**

Available lengths: 2', 5', 8', 10'



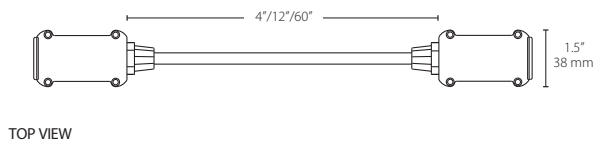
**LEADER CABLE (PVC): for illuminated length up to 75'**

Available lengths: 2', 5', 8', 10'



**JUMPER CABLE**

Available lengths: 4", 12", 60"



To order FLEXICOVE

Please contact customer service at [sales@rablighting.com](mailto:sales@rablighting.com) or call (888) 722 1000. Or use the FLEXICOVE Configurator on our website at [rablighting.com/flexicove](http://rablighting.com/flexicove).

