

Plan view of Point by Point
Scale: 1 inch= 4 Ft.

The Lighting Analysis, ezLayout, Energy Analysis and/or Visual Simulation ("Lighting Design") provided by the RAB Lighting Inc. ("RAB") represent an anticipated prediction of lighting system performance based upon design parameters and information supplied by others. These design parameters and information provided by others have not been field verified by RAB and therefore actual measured results may vary from the actual field conditions. RAB recommends that design parameters and other information be field verified to reduce variation.

RAB neither warranties, either implied or stated with regard to actual measured light levels or energy consumption levels as compared to those illustrated by the Lighting Design. RAB neither warranties, either implied or stated, nor represents the appropriateness, completeness or suitability of the Lighting Design intent as compliant with any applicable regulatory code requirements with the exception of those specifically stated on drawings created and submitted by RAB. The Lighting design is issued, in whole or in part, as advisory documents for informational purposes and is not intended for construction nor as being part of a project's construction documentation package.



RAB LIGHTING
170 LUDLOW AVE.
NORTHVALE, NJ 07647

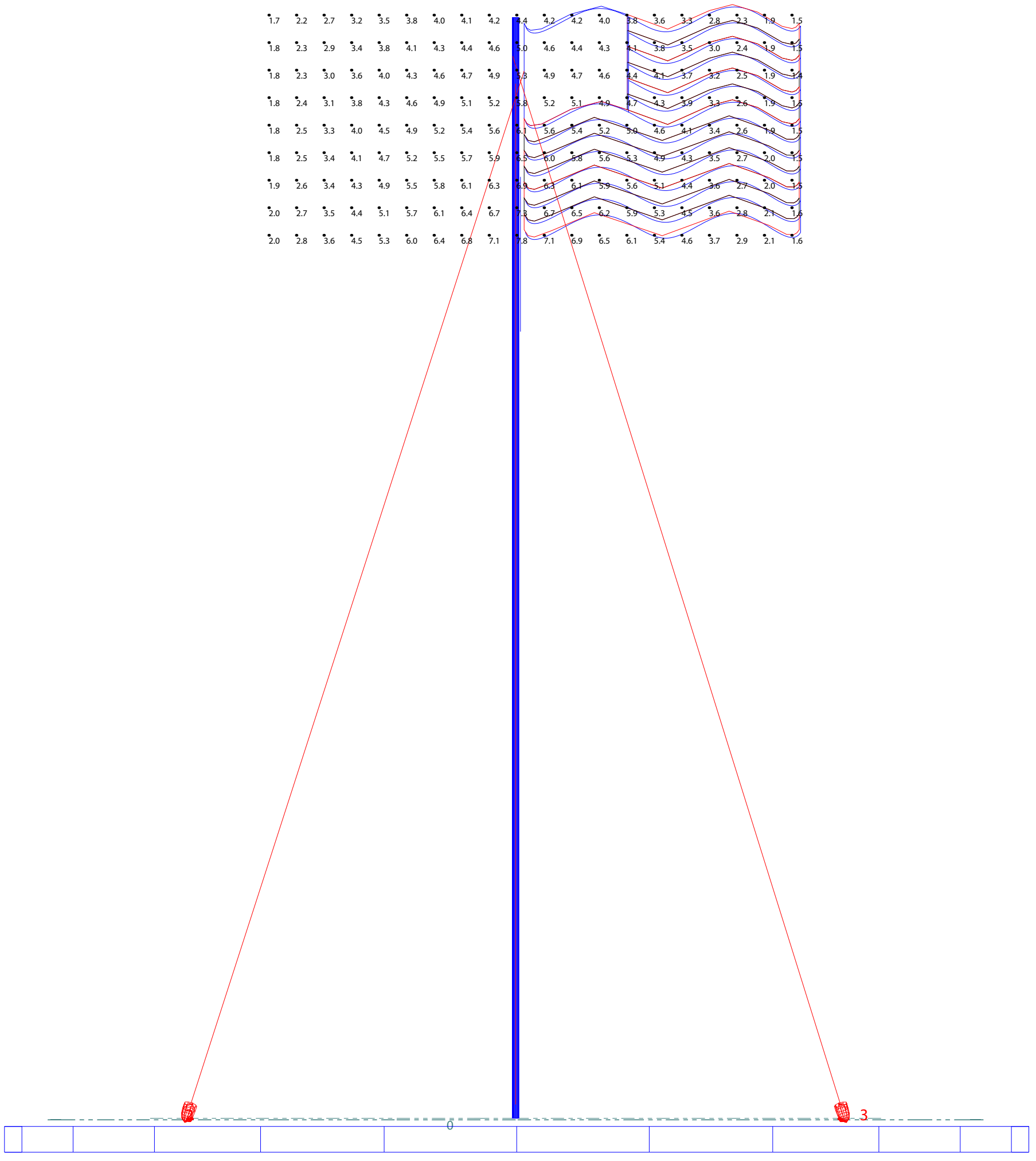
888-722-1000
WWW.RABWEB.COM

PREPARED FOR:

JOB NAME:
40' Flag Pole

Fixture: HSLED26
3 @ 120°

SCALE: as noted
DATE: 10/06/10
FILE:
DR. BY:



Elevation view of Point by Point
Scale: 1 inch= 4 Ft.

The Lighting Analysis, ezLayout, Energy Analysis and/or Visual Simulation ("Lighting Design") provided by the RAB Lighting Inc. ("RAB") represent an anticipated prediction of lighting system performance based upon design parameters and information supplied by others. These design parameters and information provided by others have not been field verified by RAB and therefore actual measured results may vary from the actual field conditions. RAB recommends that design parameters and other information be field verified to reduce variation.

RAB neither warranties, either implied or stated with regard to actual measured light levels or energy consumption levels as compared to those illustrated by the Lighting Design. RAB neither warranties, either implied or stated, nor represents the appropriateness, completeness or suitability of the Lighting Design intent as compliant with any applicable regulatory code requirements with the exception of those specifically stated on drawings created and submitted by RAB. The Lighting design is issued, in whole or in part, as advisory documents for informational purposes and is not intended for construction nor as being part of a project's construction documentation package.



RAB LIGHTING
170 LUDLOW AVE.
NORTHVALE, NJ 07647

888-722-1000
WWW.RABWEB.COM

PREPARED FOR:

JOB NAME:
40' Flag Pole

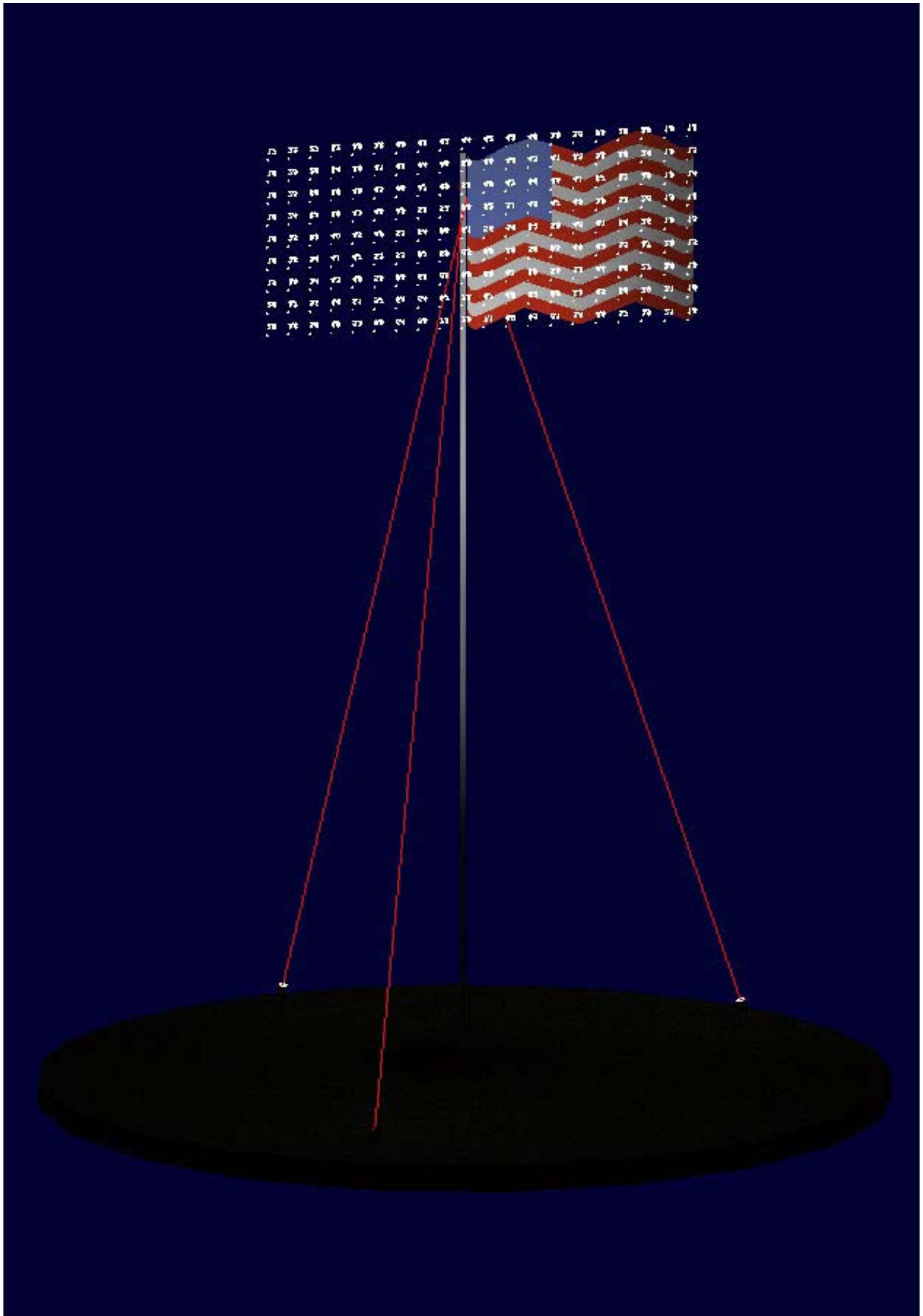
Fixture: HSLED26
3 @ 120°

SCALE: as noted

DATE: 10/06/10

FILE:

DR. BY:



The Lighting Analysis, ezLayout, Energy Analysis and/or Visual Simulation ("Lighting Design") provided by the RAB Lighting Inc. ("RAB") represent an anticipated prediction of lighting system performance based upon design parameters and information supplied by others. These design parameters and information provided by others have not been field verified by RAB and therefore actual measured results may vary from the actual field conditions. RAB recommends that design parameters and other information be field verified to reduce variation.

RAB neither warranties, either implied or stated with regard to actual measured light levels or energy consumption levels as compared to those illustrated by the Lighting Design. RAB neither warranties, either implied or stated, nor represents the appropriateness, completeness or suitability of the Lighting Design intent as compliant with any applicable regulatory code requirements with the exception of those specifically stated on drawings created and submitted by RAB. The Lighting design is issued, in whole or in part, as advisory documents for informational purposes and is not intended for construction nor as being part of a project's construction documentation package.



RAB LIGHTING
170 LUDLOW AVE.
NORTHVALE, NJ 07647

888-722-1000
WWW.RABWEB.COM

PREPARED FOR:

JOB NAME:
40' Flag Pole


Fixture: HSLED26
3 @ 120°

SCALE: as noted

DATE: 10/06/10

FILE:

DR. BY:

Luminaire Schedule									
Symbol	Qty	Label	Arrangement	Lum. Lumens	LLF	Description	Lum. Watts	Total Watts	Filename
	3	HSLED26	SINGLE	2345	1.000	HSLED26	27	81	HSLED26 - Cool - ITL81794.ies

Calculation Summary									
Label	CalcType	Units	Avg	Max	Min	Avg/Min	Max/Min	Description	
CalcPts Flag	Illuminance	Fc	4.13	7.8	1.4	2.95	5.57	Readings Taken @ Flag Face	

Luminaire Location Summary						
LumNo	Label	X	Y	Z	Orient	Tilt
1	HSLED26	0.002	-17	0.5	90.007	155.761
2	HSLED26	-12.021	12.021	0.5	314.713	155.36
3	HSLED26	12.021	12.021	0.5	224.898	156.181



HSLED26

NOTES:

* The light loss factor (LLF) is a product of many variables, only lamp lumen depreciation (LLD) has been applied to the calculated results unless otherwise noted. The LLD is the result (quotient) of mean lumens / initial lumens per lamp manufacturers' specifications.

* Illumination values shown (in footcandles) are the predicted results for planes of calculation either horizontal, vertical or inclined as designated in the calculation summary. Meter orientation is normal to the plane of calculation.

* The calculated results of this lighting simulation represent an anticipated prediction of system performance. Actual measured results may vary from the anticipated performance and are subject to means and methods which are beyond the control of RAB Lighting Inc.

* Mounting height determination is job site specific, our lighting simulations assume a mounting height (insertion point of the luminaire symbol) to be taken at the top of the symbol for ceiling mounted luminaires and at the bottom of the symbol for all other luminaire mounting configurations.

* RAB Lighting Inc. luminaire and product designs are protected under U.S. and International intellectual property laws. Patents issued or pending apply.

The Lighting Analysis, ezLayout, Energy Analysis and/or Visual Simulation ("Lighting Design") provided by the RAB Lighting Inc. ("RAB") represent an anticipated prediction of lighting system performance based upon design parameters and information supplied by others. These design parameters and information provided by others have not been field verified by RAB and therefore actual measured results may vary from the actual field conditions. RAB recommends that design parameters and other information be field verified to reduce variation.

RAB neither warranties, either implied or stated with regard to actual measured light levels or energy consumption levels as compared to those illustrated by the Lighting Design. RAB neither warranties, either implied or stated, nor represents the appropriateness, completeness or suitability of the Lighting Design intent as compliant with any applicable regulatory code requirements with the exception of those specifically stated on drawings created and submitted by RAB. The Lighting design is issued, in whole or in part, as advisory documents for informational purposes and is not intended for construction nor as being part of a project's construction documentation package.



RAB LIGHTING
170 LUDLOW AVE.
NORTHVALE, NJ 07647

888-722-1000
WWW.RABWEB.COM

PREPARED FOR:

JOB NAME:
40' Flag Pole

Fixture: HSLED26
3 @ 120°

SCALE: NTS

DATE: 10/06/10

FILE:

DR. BY:



Bullet shape die cast aluminum flood with 26 Watt LED Light Engine. Comes with spotlight reflector installed.

Color: Bronze

Weight: 4.6 lbs

Project:

Type:

Prepared By:

Date:

Driver Info

Type: Constant Current
 120V: 0.24A
 208V: 0.15A
 240V: 0.13A
 277V: 0.11A
 Input Watts: 27W
 Efficiency: 96%

LED Info

Watts: 26W
 Color Temp: 5000K (Cool)
 Color Accuracy: 68 CRI
 L70 Lifespan: 100,000
 Lumens: 2,336
 Efficacy: 87 LPW

Technical Specifications

Listings

UL Listing:

Suitable for wet locations. Suitable for ground mounting.

IESNA LM-79 & LM-80 Testing:

RAB LED luminaires have been tested by an independent laboratory in accordance with IESNA LM-79 and LM-80, and have received the Department of Energy "Lighting Facts" label.

DLC Listed:

This product is on the Design Lights Consortium (DLC) Qualified Products List and is eligible for rebates from DLC Member Utilities.

Electrical

Driver:

Constant Current, 700mA, 120-277V with 4kV surge protection, 120V: 0.24A, 208V: 0.15A, 240V: 0.13A, 277V: 0.11A, 50/60Hz, THD < 20%, Power Factor: 99%

THD:

6.1% at 120V, 10.1% at 277V

Optical

NEMA Type:

NEMA Beam Spread of 3H x 3V

LED Characteristics

LEDs:

Multi-chip, high-output, long-life LEDs

Color Stability:

RAB LEDs exceed industry standards for chromatic stability.

Color Uniformity:

RAB's range of CCT (Correlated Color Temperature) follows the guidelines of the American National Standard for Specifications for the Chromaticity of Solid State Lighting (SSL) Products, ANSI C78.377-2011.

Construction

Cold Weather Starting:

Minimum starting temperature is -40°F/-40°C

Thermal Management:

Superior heat sinking with external Air-Flow fins

Housing:

Precision die-cast aluminum housing, lens frame and mounting arm.

Reflector:

Semi-specular, vacuum-metalized polycarbonate

Mounting:

Heavy-duty mounting arm with "O" ring seal & stainless steel screws.

Gaskets:

High-temperature silicone gaskets

Finish:

Our environmentally friendly polyester powder coatings are formulated for high-durability and long-lasting color, and contain no VOC or toxic heavy metals.

Green Technology:

Mercury and UV free, and RoHS compliant. Polyester powder coat finish formulated without the use of VOC or toxic heavy metals.

Other

California Title 24:

HSLED26 comply with 2013 California Title 24 building and electrical codes as a commercial outdoor non-pole-mounted fixture ≤ 30 Watts when used with a photosensor control. Select catalog number PCS900 (120V) or PCS1900/277 (277V) to order a photosensor.

Country of Origin:

Designed by RAB in New Jersey and assembled in the USA by RAB's IBEW Local 3 workers.

Buy American Act Compliant:

This product is a COTS item manufactured in the United States, and is compliant with the Buy American Act.

Recovery Act (ARRA) Compliant:

This product complies with the 52.225-21 "Required Use of American Iron, Steel, and Manufactured Goods-- Buy American Act-- Construction Materials (October 2010).

Trade Agreements Act Compliant:

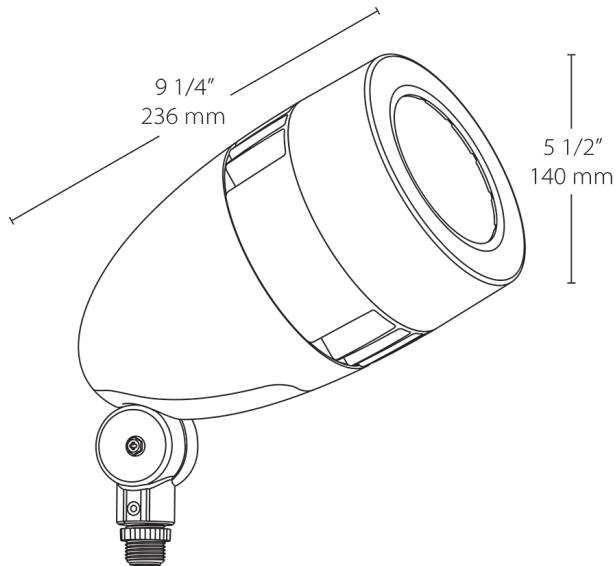
This product is a COTS item manufactured in the United States, and is compliant with the Trade Agreements Act.

GSA Schedule:

Suitable in accordance with FAR Subpart 25.4.

HSLED26A

Dimensions



Features

- 80% energy savings vs. PAR floods
- Mount on junction box or on RAB Mighty Post
- Patent-pending Air-Flow technology
- 5-year warranty

Ordering Matrix

Family	Watts	Finish	Dimming	Voltage
HSLED	26 = 26W	A = Bronze B = Black VG = Verde Green W = White	= No Dimming /D10 = Dimmable	= 120-277V /480 = 480V